

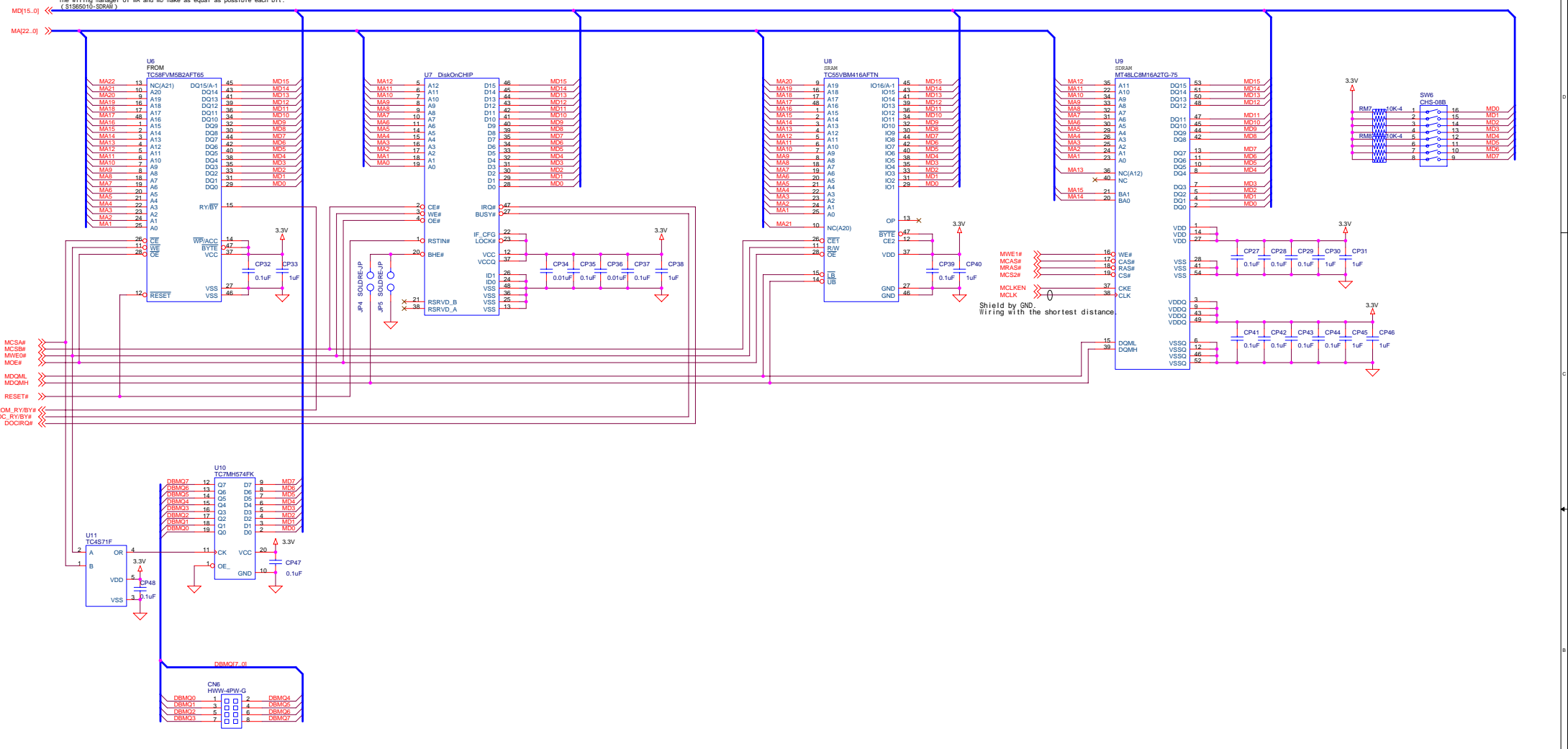
File	S1S65010		
Size	Document Number		
A2	04A-00302		Rev 01
Date:	Monday, April 16, 2007	Sheet	1 of 5

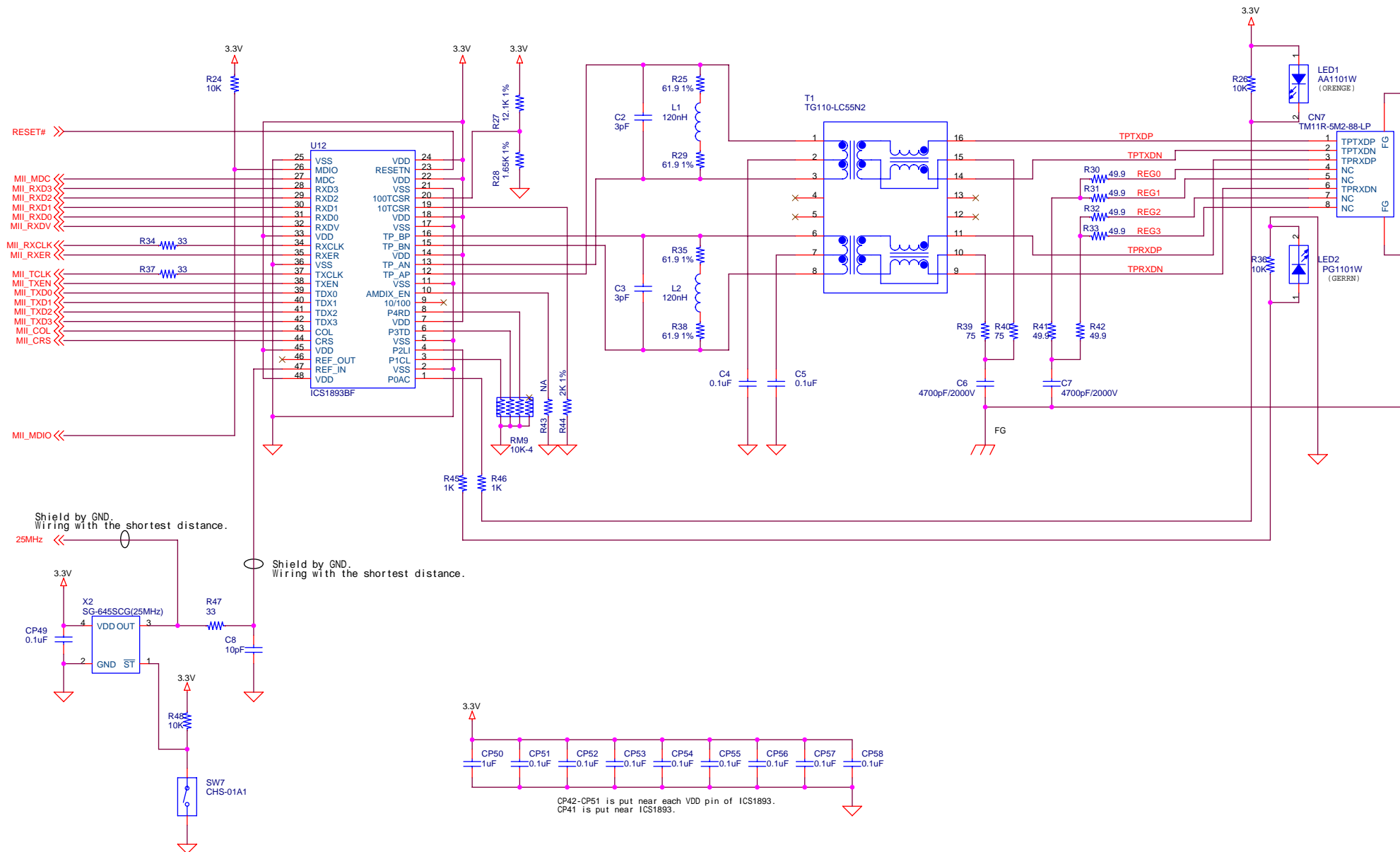
CP10-CP16 is put near each CP16 pin of S1S65010.
 CP9 is put near S1S65010.

CP18-CP22 is put near each HVDD1 pin of S1S65010.
 CP17 is put near S1S65010.

PE1 1POINT ERATH
 1 point earth dummy parts

The wiring manager of MA and MD make as equal as possible each bit.
(S1855010-SRAM)





Title		
10/100BASE PHYSICAL		
Size	Document Number	Rev
A3	04A-00302	01
Date:	Monday, April 16, 2007	Sheet 3 of 5

