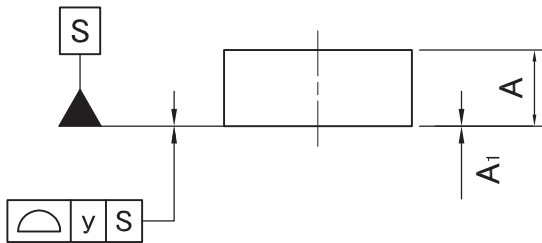
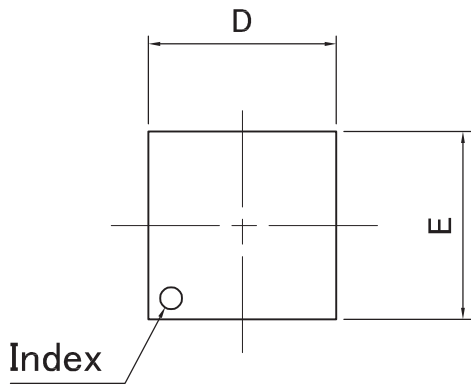
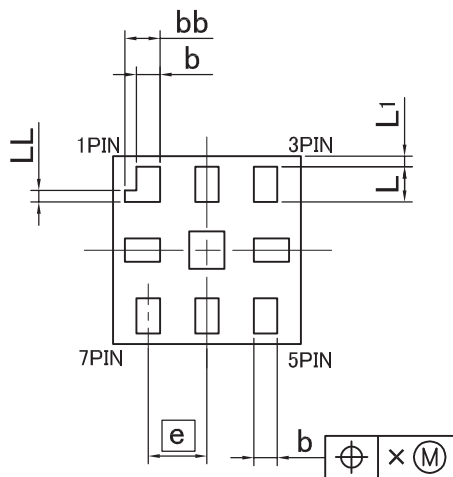


Top View



Bottom View



| Symbol | Dimension in Millimeters | | |
|-------------------|--------------------------|------|------|
| | Min | Nom | Max |
| D | - | 1.6 | - |
| E | - | 1.6 | - |
| A | - | - | 0.65 |
| A ₁ | 0 | - | - |
| \textcircled{e} | - | 0.5 | - |
| b | 0.1 | - | 0.3 |
| bb | 0.2 | - | 0.4 |
| L | 0.2 | - | 0.4 |
| L ₁ | - | 0.09 | - |
| LL | - | 0.1 | - |
| x | - | - | 0.1 |
| y | - | - | 0.08 |

Unit ; mm

TITLE

P-UPLP008-01.60 × 01.60-0.50(PLP061616B-8PIN)

SEIKO EPSON CORP.