

3 Axis Vibration Sensor M-A342VD10


 Product number
M-A342VD10 : X2F000021000100


- Capable of measuring velocity, velocity RMS, and velocity P-P (ISO10816 / ISO20816 compliant)
- Frequency response characteristics: 10 Hz to 1,000 Hz (-3dB)
- Insensitive to magnetic influences
- High dynamic range: ± 100 mm/s (110 dB)
- 3-axis digital output SPI / UART
- Power consumption : 29 mA Typ.

Recommended Application

- MHM (Machine Health Monitoring) • Condition Based Maintenance (CBM) • Motion analysis and control
- SHM (Structural Health Monitoring) • Vibration analysis, control and stabilization • Lissajous analysis

Recommended Operating Condition

Parameter	Condition	Min	Typ	Max	Unit
VCC to GND		3.15	3.3	3.45	V
Digital Input Voltage to GND		GND		VCC	V
Digital Output Voltage to GND		-0.3		VCC +0.3	V
Operating Temperature Range		-30		85	°C
Start up Time	Power-on to start output.			900	ms.

Specifications

T_A=-30 °C to +85 °C, VCC=3.15 V~3.45 V, $\leq \pm 1$ G, unless otherwise noted.

Parameter	Test Conditions / Comments	Min	Typ	Max	Unit
VELOCITY					
Sensitivity					
Output Range	f = 10 Hz ~ 1000 Hz			± 100	mm/s
Scale Factor	2 ⁻²² m/s/LSB		2.38*10 ⁻⁴		mm/s/LSB
Sensitivity Error	25 °C, ≤ 1 G	-1550		1550	$\times 10^{-6}$ (ppm)
Nonlinearity	≤ 1 G, Best fit straight line, RT	-0.15		0.15	% of FS
Cross Axis Sensitivity	No alignment correction		± 0.9 ^{*3}		%
Noise					
Noise Density	25 °C, Avg, f = 200 Hz ~ 1000 Hz		1.4*10 ⁻⁴		mm/s/ $\sqrt{\text{Hz}}$, rms
Cantilever Resonance Frequency	25 °C, VCC 3.3 V		4,460		Hz
Frequency Property					
Frequency Range	-3 dB at 25 °C		10~1,000		Hz
DISPLACEMENT					
Sensitivity					
Output Range	f = 1 Hz ~ 100 Hz			± 200	mm
Scale Factor	2 ⁻²² m/LSB		2.38*10 ⁻⁴		mm/LSB
Nonlinearity	≤ 1 G, Best fit straight line, RT	-0.15		0.15	% of FS
Cross Axis Sensitivity			± 0.9 ^{*3}		%
Noise					
Noise Density	25 °C, Avg, f = 20 Hz ~ 100 Hz		0.7*10 ⁻⁵		mm/ $\sqrt{\text{Hz}}$, rms
Frequency Property					
Frequency Range	-3 dB at 25 °C		1~100		Hz
TEMPERATURE SENSOR					
Output Range		-40		85	°C
16bit Scale Factor ^{*1}	Output=2634(0x0A4A) at 25 °C		-0.0037918		°C/LSB
8bit Scale Factor ^{*1}	Output=2634(0x0A4A) at 25 °C		-0.9707008		°C/LSB
RELIABILITY					
MTBF ^{*2}	JIS-C5003 TA = 25 °C	87,600			hour

*1) This is a reference value used for the internal temperature correction, and is not guaranteed to accurately output the interior temperature.

*2) The MTBF is an estimated value derived from the result of high temperature operation with a system requirement of T_A=25°C and a 60% reliability level.

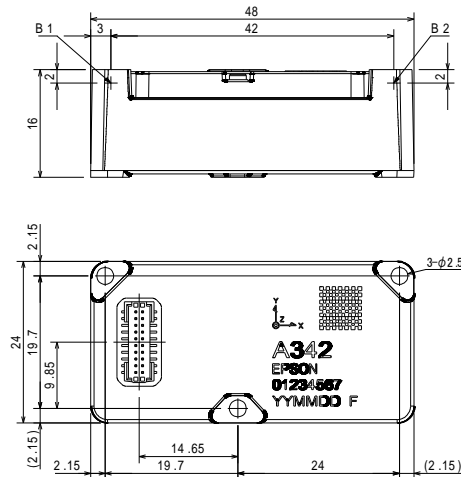
*3) When the alignment is corrected by the host, the other axis sensitivity is Typ. 0.1 %.

Note) The values in the specifications are based on the data calibrated at the factory. The values may change according to the way the product is used.

Note) The Max/Min value is the maximum/minimum value of the design or factory shipment examination, unless otherwise specified.

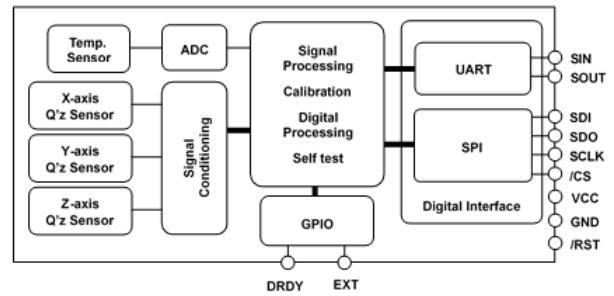
Note) The calibrated standard 1G gravitational acceleration value is 9.80665 m/s²

Outline Dimensions

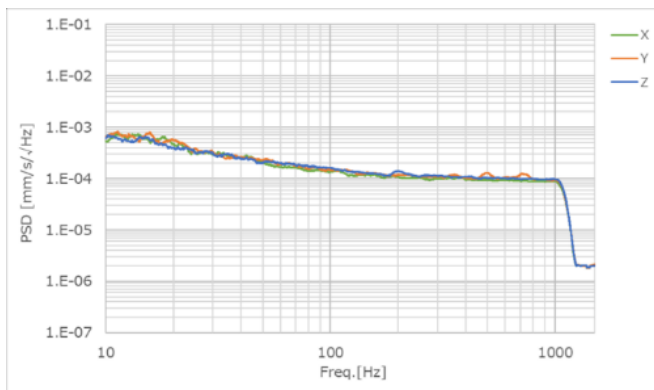


Unit: mm

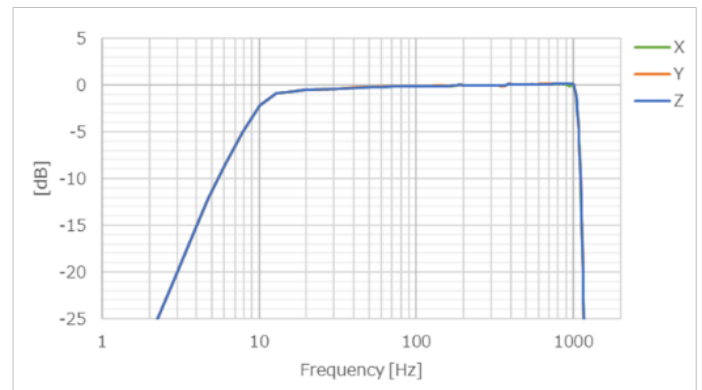
Block Diagram



Noise Density (Velocity Output)



Frequency Response (Velocity Output)



The product characteristics shown above are just examples and are not guaranteed as specifications

Notice of the Document

NOTICE : PLEASE READ CAREFULLY BELOW BEFORE THE USE OF THIS DOCUMENT ©Seiko Epson Corporation 2022

The content of this document is subject to change without notice.

- This document may not be copied, reproduced, or used for any other purposes, in whole or in part, without the consent of Seiko Epson Corporation ("Epson").
- Before purchasing or using Epson products, please contact with our sales representative for the latest information and be always sure to check the latest information published on Epson's official web sites and sources.
- Information provided in this document such as application circuits, programs, usage, etc., are for reference purpose only. Please use the application circuits, programs, usage, etc. in the design of your equipment or systems at your own responsibility. Epson makes no guarantees against any infringements or damages to any third parties' intellectual property rights or any other rights resulting from the information. This document does not grant you any licenses, intellectual property rights or any other rights with respect to Epson products owned by Epson or any third parties.
- Epson is committed to constantly improving quality and reliability, but semiconductor products in general are subject to malfunction and failure. In using Epson products, you shall be responsible for safe design in your products; your hardware, software and systems are designed enough to prevent any harm or damages to life, health or property even if any malfunction or failure might be caused by Epson products. In designing of your products with using Epson products, please be sure to check and comply with the latest information regarding Epson products (this document, specifications, data sheets, manuals, Epson's web site, etc.). When using the information included in the above materials such as product data, chart, technical contents, programs, algorithms and application circuit examples, you shall evaluate your products both in stand-alone basis and within your overall systems. You shall be solely responsible for deciding whether or not to adopt and use Epson products.
- Epson has prepared this document and programs provided in this document carefully to be accurate and dependable, but Epson does not guarantee that the information and the programs are always accurate and complete. Epson assumes no responsibility for any damages which you incurred by due to misinformation in this document and the programs.
- No dismantling, analysis, reverse engineering, modification, alteration, adaptation, reproduction, etc., of Epson products is allowed.
- Epson products have been designed, developed and manufactured to be used in general electronic applications (office equipment, communications equipment, measuring instruments, home electronics, etc.) and applications individually listed in this document ("General Purpose"). Epson products are NOT intended for any use beyond the General Purpose that requires particular/higher quality or reliability in order to refrain from causing any malfunction or failure leading to harm to life, health or serious property damage or severe impact on society, including, but not limited to listed below. Therefore, you are advised to use Epson products only for the General Purpose. Should you desire to buy and use Epson products for the particular purpose other than the General Purpose, Epson makes no warranty and disclaims with respect to Epson products, whether express or implied, including without limitation any implied warranty of merchantability or fitness for any particular purpose.
 - [Particular purpose]
 - Space equipment (artificial satellites, rockets, etc.)
 - Transportation vehicles and their control equipment (automobiles, aircraft, trains, ships, etc.)
 - Medical equipment (other than applications individually listed in this document) / Relay equipment to be placed on sea floor
 - Power station control equipment / Disaster or crime prevention equipment / Traffic control equipment / Financial equipment
 - Other applications requiring similar levels of reliability as the above
- Epson products listed in this document and our associated technologies shall not be used in any equipment or systems that laws and regulations in Japan or any other countries prohibit to manufacture, use or sell. Furthermore, Epson products and our associated technologies shall not be used for developing military weapons of mass destruction, military purpose use, or any other military applications. If exporting Epson products or our associated technologies, you shall comply with the Foreign Exchange and Foreign Trade Control Act in Japan, Export Administration Regulations in the U.S.A (EAR) and other export-related laws and regulations in Japan and any other countries and follow the required procedures as provided by the relevant laws and regulations.
- Epson assumes no responsibility for any damages (whether direct or indirect) caused by or in relation with your non-compliance with the terms and conditions in this document.
- Epson assumes no responsibility for any damages (whether direct or indirect) incurred by any third party that you assign, transfer, loan, etc., Epson products.
- For more details or other concerns about this document, please contact our sales representative.
- Company names and product names listed in this document are trademarks or registered trademarks of their respective companies.

2022.08

© Seiko Epson Corporation 2022. All rights reserved.

SEIKO EPSON CORPORATION

MD SALES & MARKETING DEPT.

JR Shinjuku Miraina Tower, 4-1-6 Shinjuku, Shinjuku-ku, Tokyo, 160-8801, Japan

Phone: +81-3-6682-4322 FAX: +81-3-6682-5016